

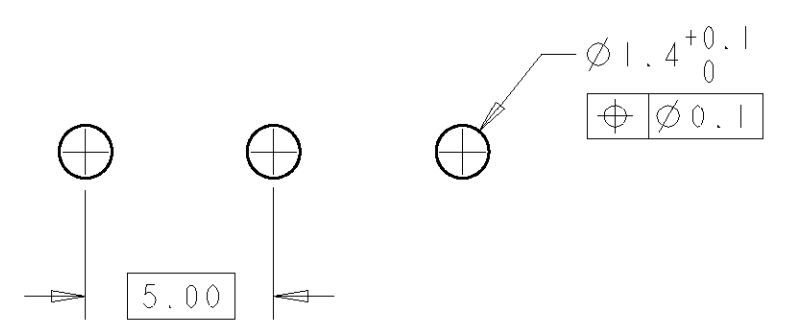
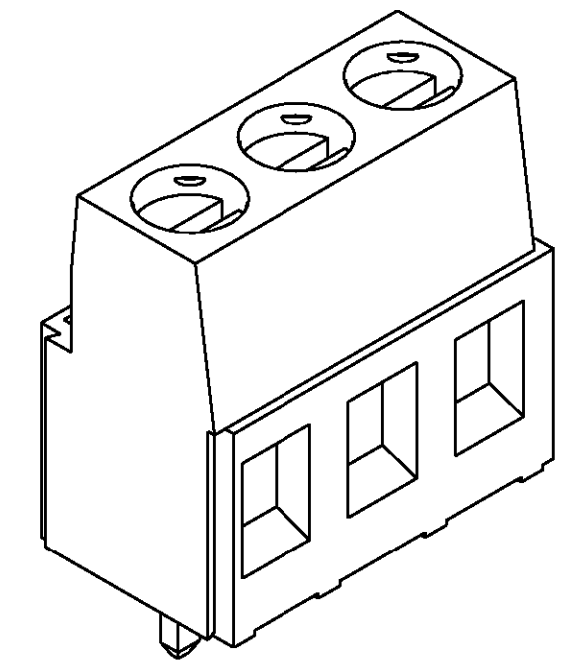
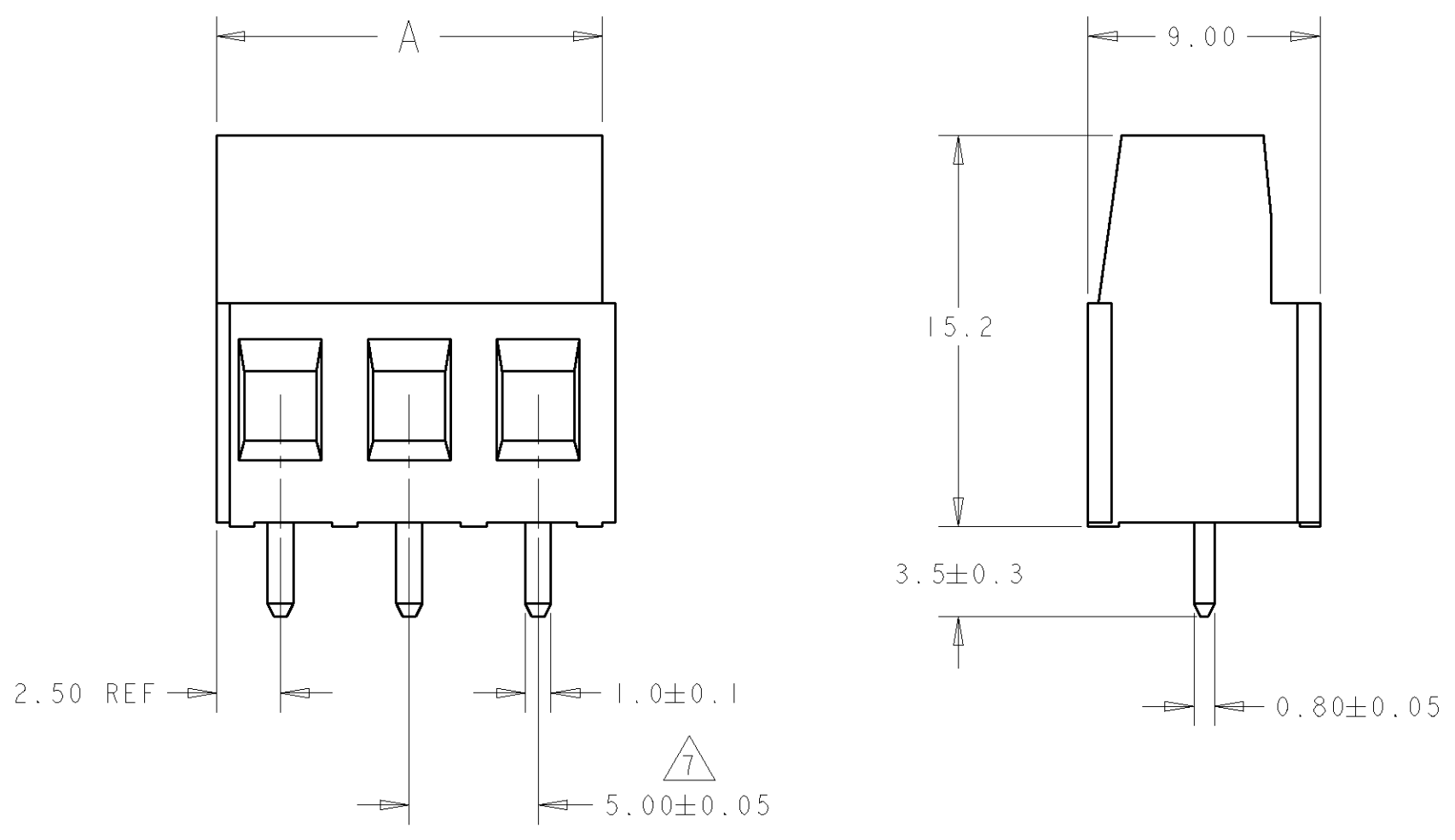
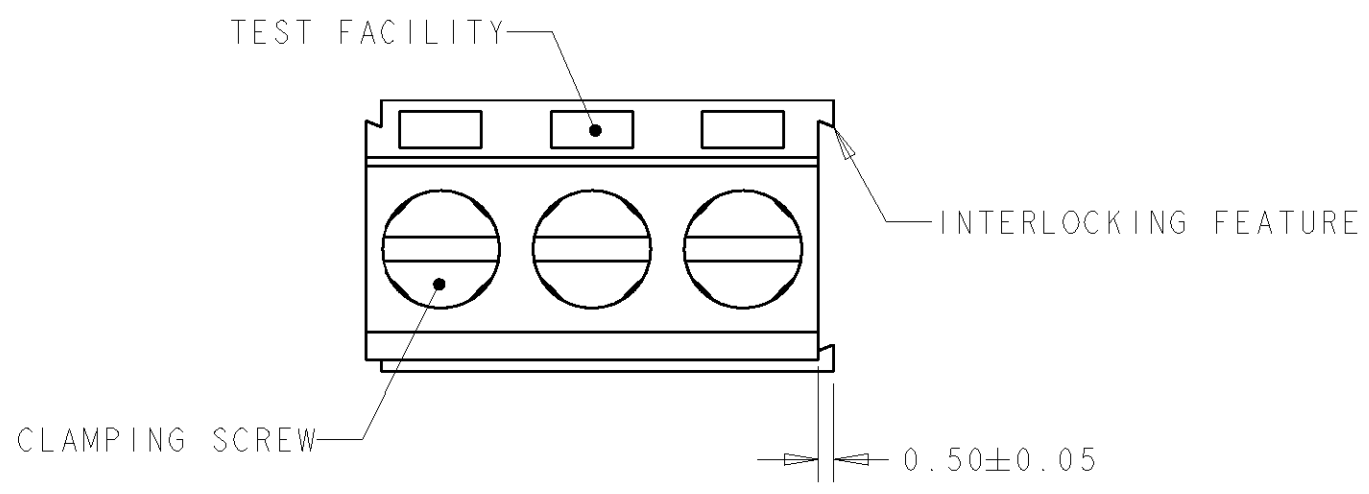
THIS DRAWING IS UNPUBLISHED. RELEASED FOR PUBLICATION 20
 © COPYRIGHT 20 BY TYCO ELECTRONICS CORPORATION. ALL RIGHTS RESERVED.

LOC	DIST	REVISIONS					
FT	0	P	LTR	DESCRIPTION	DATE	DWN	APVD
		A		RELEASED EC 063B-0521-01	01OCT2001	-	-
		B		REVISED PER 063B-0661-01	11APR2002	EZ	DB
		C		REVISED EC 063B-0211-04	05MAR2004	SW	CR
		-		-	-	-	-

△ MATERIALS AND FINISH:
 HOUSING: PA 6-6, UL 94-V0, COLOR:BLUE.
 CLAMP: BRASS, NICKEL PLATED.
 TERMINAL: BRASS, TIN PLATED.
 CLAMPING SCREW: M3, BRASS, NICKEL PLATED.

- SUITABLE FOR 1,6-2,4mm. PCB THICKNESS.
- END-TO-END STACKABLE W/INTERLOCK WITHOUT LOSS OF CENTERLINE SPACING.
- WIRE SIZE RANGE: 12-30 AWG
- RECOGNIZED UNDER THE COMPONENT PROGRAM OF UNDERWRITERS LABORATORIES INC. FILE No E60677.
- IMQ CERTIFICATE WITH SURVEILLANCE IN CONFORMITY WITH IEC 998-1/998-2-1.

- △ NOT CUMULATIVE TOLERANCE.
- BUCHANAN LOGO TO APPEAR ON HOUSING, LOCATION OPTIONAL, WHERE SPACE PERMITS.
 - PARTS INK MARKED OR HOT STAMPED WHITE.



RECOMMENDED PC BOARD LAYOUT
 SCALE 5:1

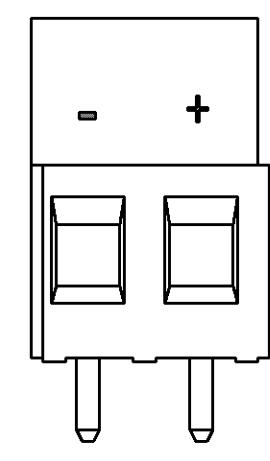
SEE SHEET 3	80.00	16	4-796681-3
SEE SHEET 3	80.00	16	4-796681-2
SEE SHEET 3	80.00	16	4-796681-1
SEE SHEET 3	80.00	16	4-796681-0
SEE SHEET 3	80.00	16	3-796681-9
SEE SHEET 3	80.00	16	3-796681-8
SEE SHEET 2	60.00	12	3-796681-7
SEE SHEET 2	60.00	12	3-796681-6
SEE SHEET 2	60.00	12	3-796681-5
SEE SHEET 2	60.00	12	3-796681-4
SEE SHEET 2	45.00	9	3-796681-3
SEE SHEET 2	45.00	9	3-796681-2
SEE SHEET 2	10.00	2	3-796681-1
SEE SHEET 2	10.00	2	3-796681-0
-	125.00	25	2-796681-5
-	120.00	24	2-796681-4
-	115.00	23	2-796681-3
-	110.00	22	2-796681-2
-	105.00	21	2-796681-1
-	100.00	20	2-796681-0
-	95.00	19	1-796681-9
-	90.00	18	1-796681-8
-	85.00	17	1-796681-7
-	80.00	16	1-796681-6
-	75.00	15	1-796681-5
-	70.00	14	1-796681-4
-	65.00	13	1-796681-3
-	60.00	12	1-796681-2
-	55.00	11	1-796681-1
-	50.00	10	1-796681-0
-	45.00	9	796681-9
-	40.00	8	796681-8
-	35.00	7	796681-7
-	30.00	6	796681-6
-	25.00	5	796681-5
-	20.00	4	796681-4
-	15.00	3	796681-3
-	10.00	2	796681-2

MARKING △9	A	POSN	PART NUMBER
------------	---	------	-------------

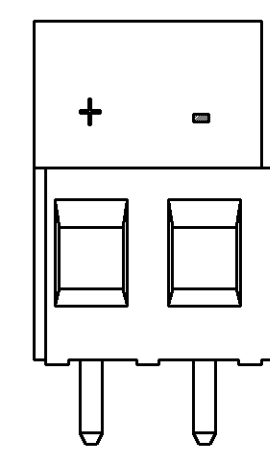
THIS DRAWING IS A CONTROLLED DOCUMENT FOR TYCO ELECTRONICS CORPORATION IT IS SUBJECT TO CHANGE AND THE CONTROLLING ENGINEERING ORGANIZATION SHOULD BE CONTACTED FOR THE LATEST REVISION.		DWN S. WELDON 22AUG2001	BUCHANAN Tyco Electronics Harrisburg, PA 17105-3608	
DIMENSIONS: mm		CHK D. BIEVENOUR 22AUG2001	NAME	
TOLERANCES UNLESS OTHERWISE SPECIFIED:		APVD D. BIEVENOUR 22AUG2001	TERMINAL BLOCK PCB MOUNT W/INTERLOCK, 5.0mm PITCH	
0 PLC ±0		PRODUCT SPEC -	SIZE A2	CAGE CODE 00779
1 PLC ±.3		APPLICATION SPEC -	DRAWING NO C-796681	RESTRICTED TO -
2 PLC ±.25		WEIGHT -	SCALE 4:1	SHEET 1 OF 3
3 PLC ±0		CUSTOMER DRAWING	REV C	
4 PLC ±0				
ANGLES ±°				
FINISH △1				

THIS DRAWING IS UNPUBLISHED. RELEASED FOR PUBLICATION 20
 © COPYRIGHT 20 BY TYCO ELECTRONICS CORPORATION. ALL RIGHTS RESERVED.

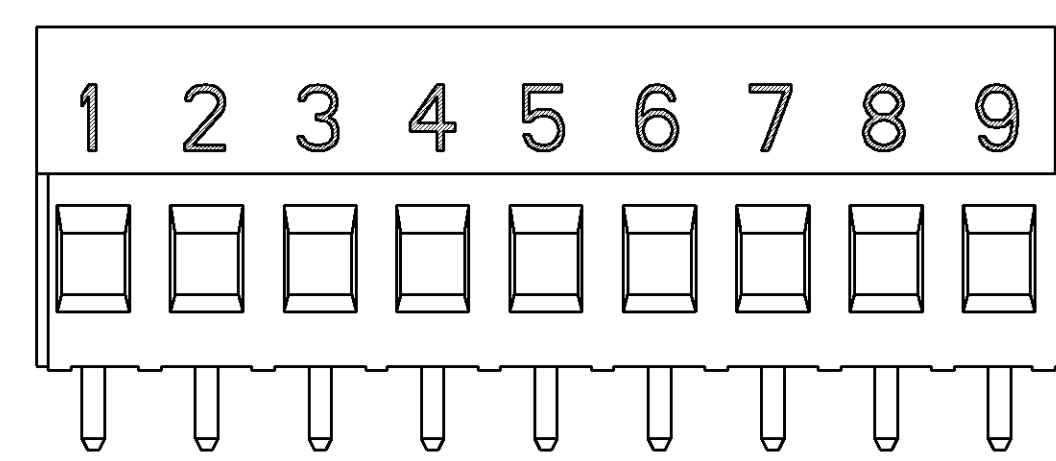
LOC	DIST	REVISIONS					
FT	0	P	LTR	DESCRIPTION	DATE	DWN	APVD
		-		SEE SHEET 1	-	-	-



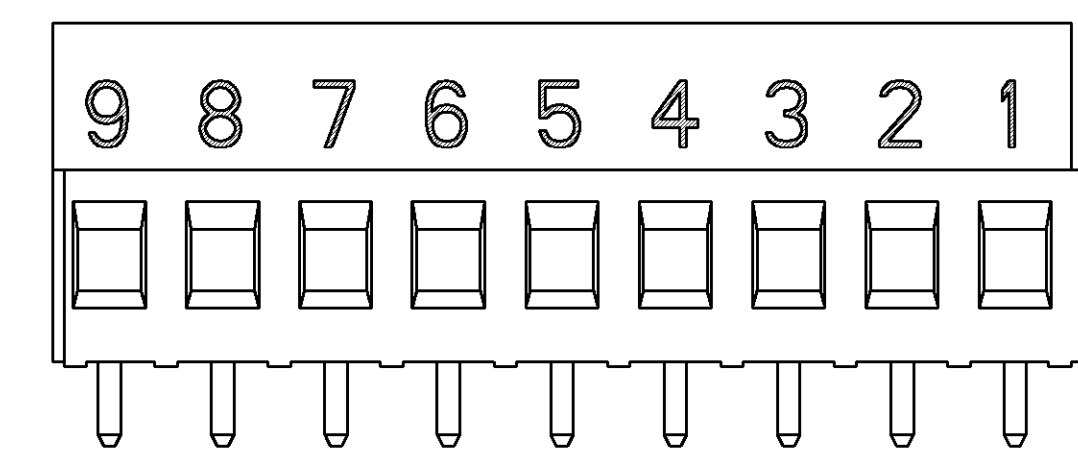
3-796681-0 AS SHOWN
SCALE 3:1



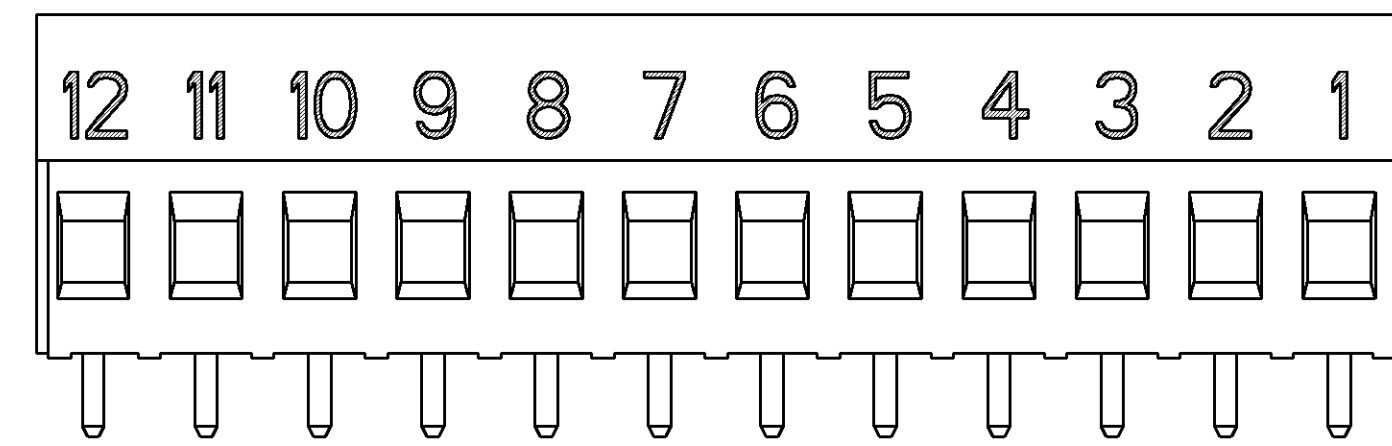
3-796681-1 AS SHOWN
SCALE 3:1



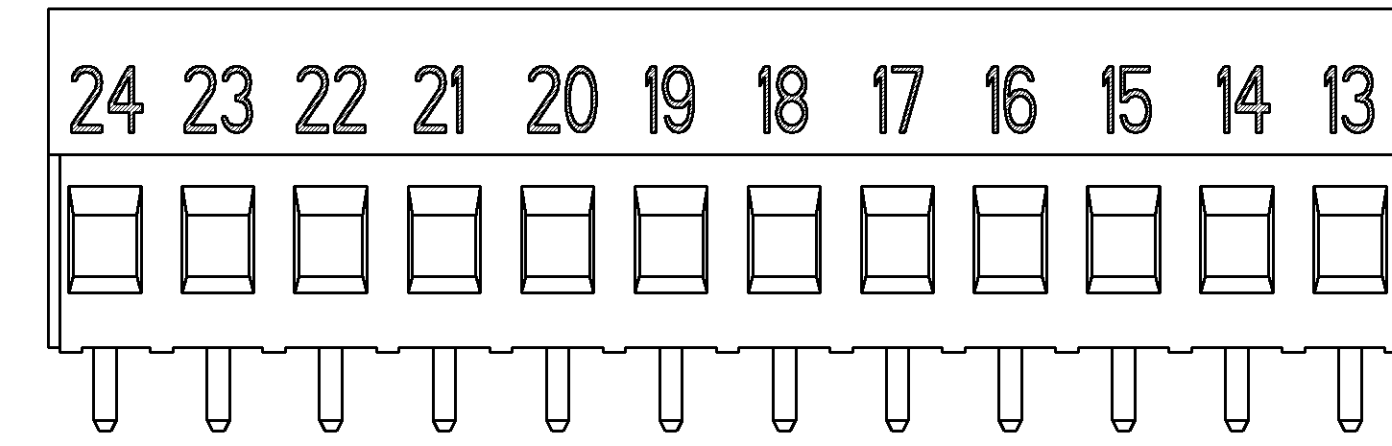
3-796681-2 AS SHOWN
SCALE 3:1



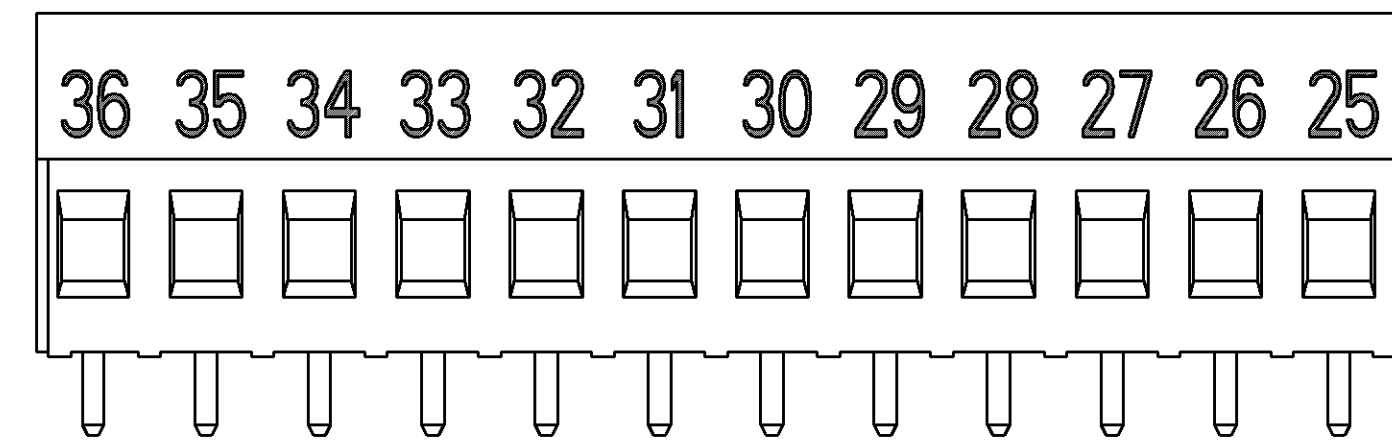
3-796681-3 AS SHOWN
SCALE 3:1



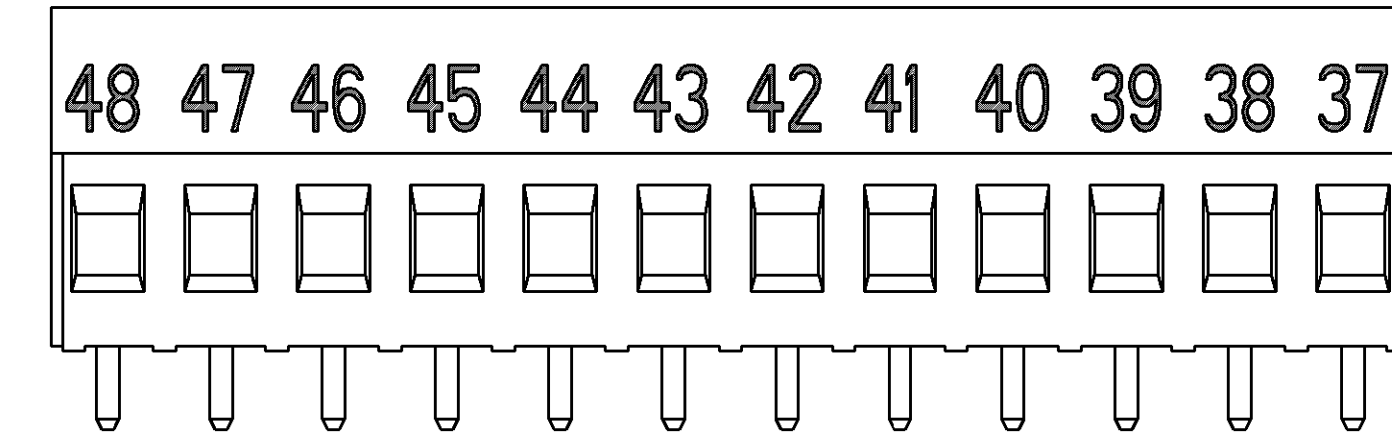
3-796681-4 AS SHOWN
SCALE 3:1



3-796681-5 AS SHOWN
SCALE 3:1



3-796681-6 AS SHOWN
SCALE 3:1

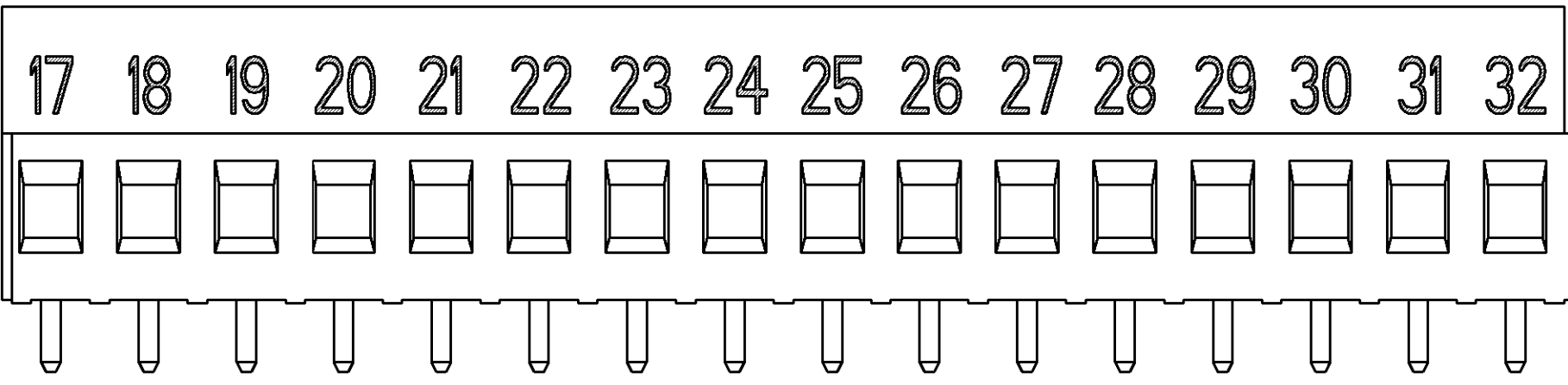


3-796681-7 AS SHOWN
SCALE 3:1

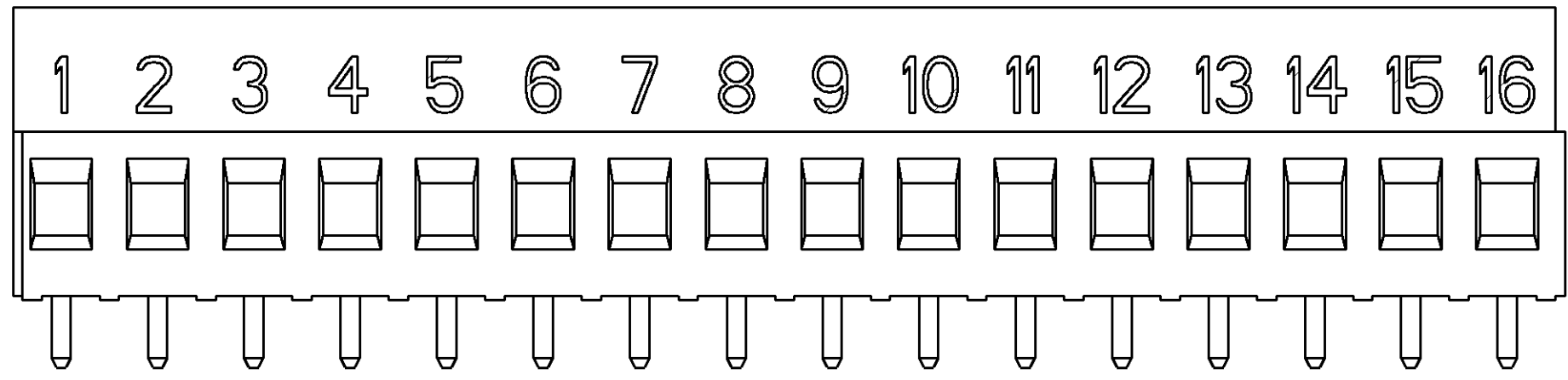
<small>THIS DRAWING IS A CONTROLLED DOCUMENT FOR TYCO ELECTRONICS CORPORATION IT IS SUBJECT TO CHANGE AND THE CONTROLLING ENGINEERING ORGANIZATION SHOULD BE CONTACTED FOR THE LATEST REVISION.</small>		DWN S. WELDON 22AUG2001 CHK D. BIEVENOUR 22AUG2001 APVD D. BIEVENOUR 22AUG2001	BUCHANAN Tyco Electronics Harrisburg, PA 17105-3608
DIMENSIONS: mm	TOLERANCES UNLESS OTHERWISE SPECIFIED: 0 PLC ±0 1 PLC ±.3 2 PLC ±.25 3 PLC ±0 4 PLC ±0 ANGLES ±2° FINISH -	PRODUCT SPEC - APPLICATION SPEC - WEIGHT -	NAME TERMINAL BLOCK PCB MOUNT W/INTERLOCK, 5.0mm PITCH
MATERIAL -	FINISH -	CUSTOMER DRAWING	SIZE A2 CAGE CODE 00779 DRAWING NO. 796681 RESTRICTED TO - SCALE 4:1 SHEET 2 OF 3 REV C

THIS DRAWING IS UNPUBLISHED. RELEASED FOR PUBLICATION 20
 © COPYRIGHT 20 BY TYCO ELECTRONICS CORPORATION. ALL RIGHTS RESERVED.

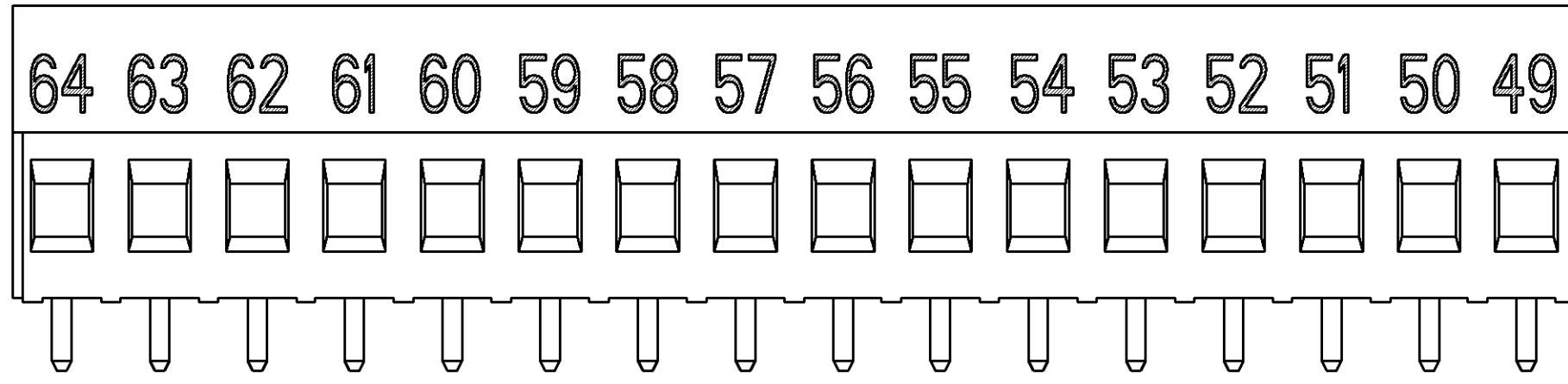
LOC	DIST	REVISIONS					
FT	0	P	LTR	DESCRIPTION	DATE	DWN	APVD
		-		SEE SHEET 1		-	-



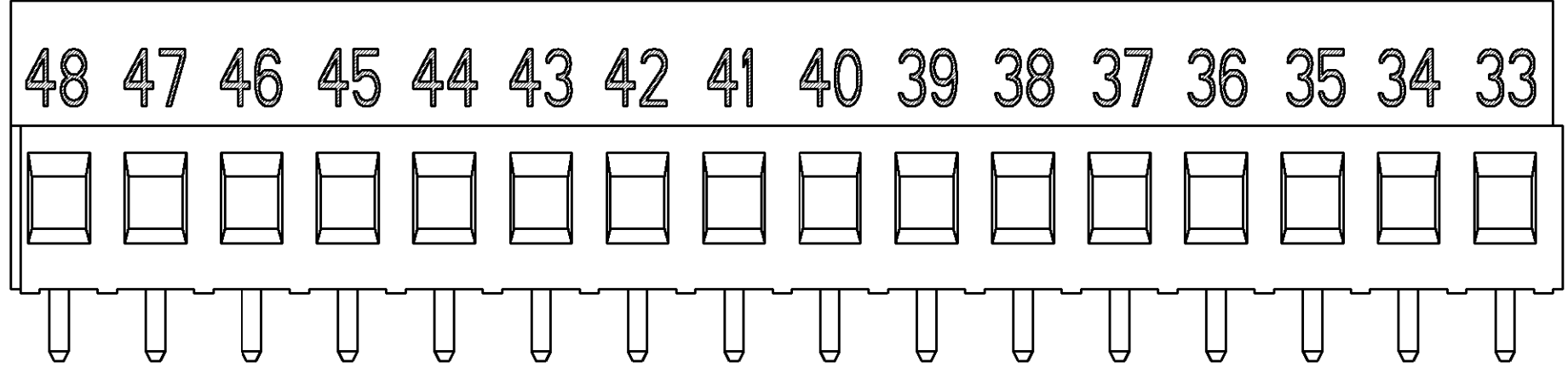
3-796681-8 AS SHOWN
SCALE 3:1



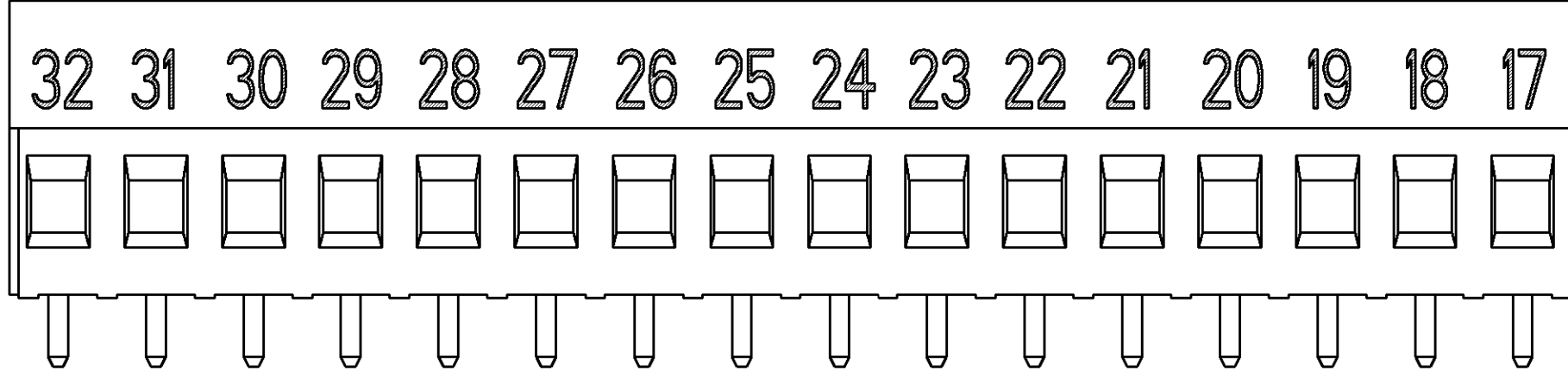
3-796681-9 AS SHOWN
SCALE 3:1



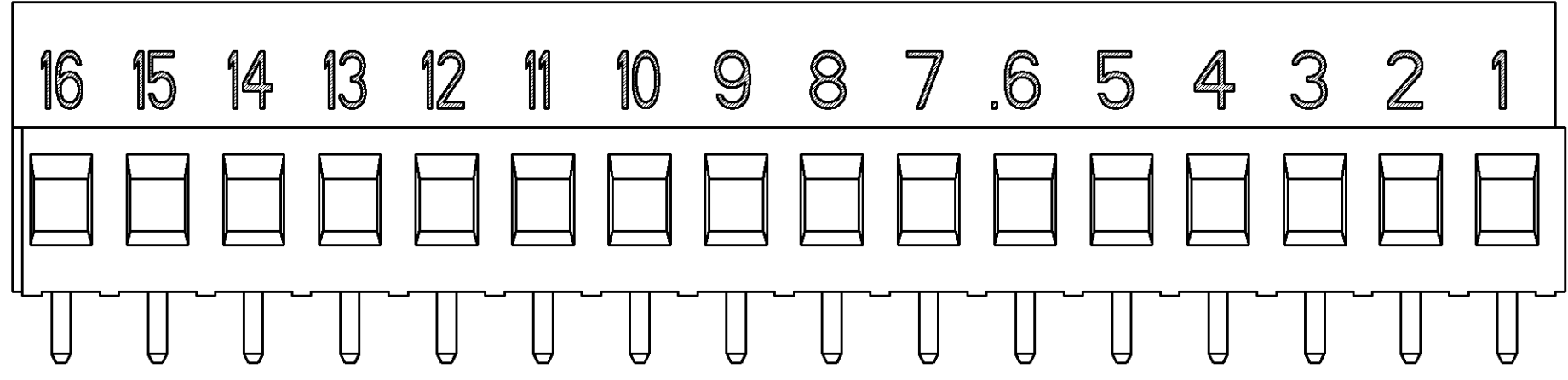
4-796681-0 AS SHOWN
SCALE 3:1



4-796681-1 AS SHOWN
SCALE 3:1



4-796681-2 AS SHOWN
SCALE 3:1



4-796681-3 AS SHOWN
SCALE 3:1

<small>THIS DRAWING IS A CONTROLLED DOCUMENT FOR TYCO ELECTRONICS CORPORATION IT IS SUBJECT TO CHANGE AND THE CONTROLLING ENGINEERING ORGANIZATION SHOULD BE CONTACTED FOR THE LATEST REVISION.</small>		DWN S. WELDON 22AUG2001 CHK D. BIEVENOUR 22AUG2001 APVD D. BIEVENOUR 22AUG2001	BUCHANAN Tyco Electronics Harrisburg, PA 17105-3608
DIMENSIONS: mm	TOLERANCES UNLESS OTHERWISE SPECIFIED: 0 PLC ±0 1 PLC ±.3 2 PLC ±.25 3 PLC ±0 4 PLC ±0 ANGLES ±2° FINISH -	PRODUCT SPEC - APPLICATION SPEC - WEIGHT -	NAME: TERMINAL BLOCK PCB MOUNT W/INTERLOCK, 5.0mm PITCH SIZE: A2 CAGE CODE: 00779 DRAWING NO: 796681 RESTRICTED TO: -
MATERIAL: -		CUSTOMER DRAWING SCALE 4:1 SHEET 3 OF 3 REV C	